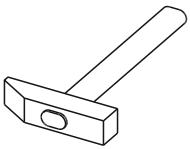
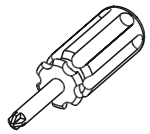
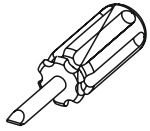
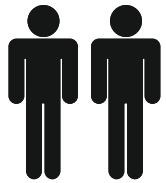


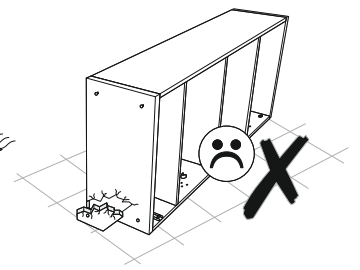
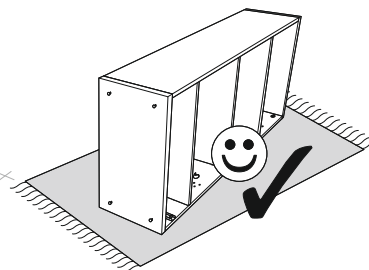
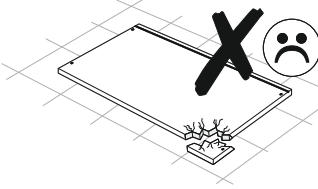
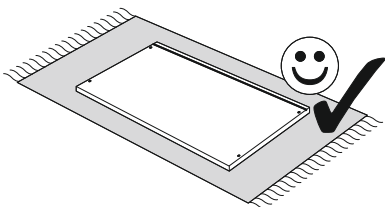
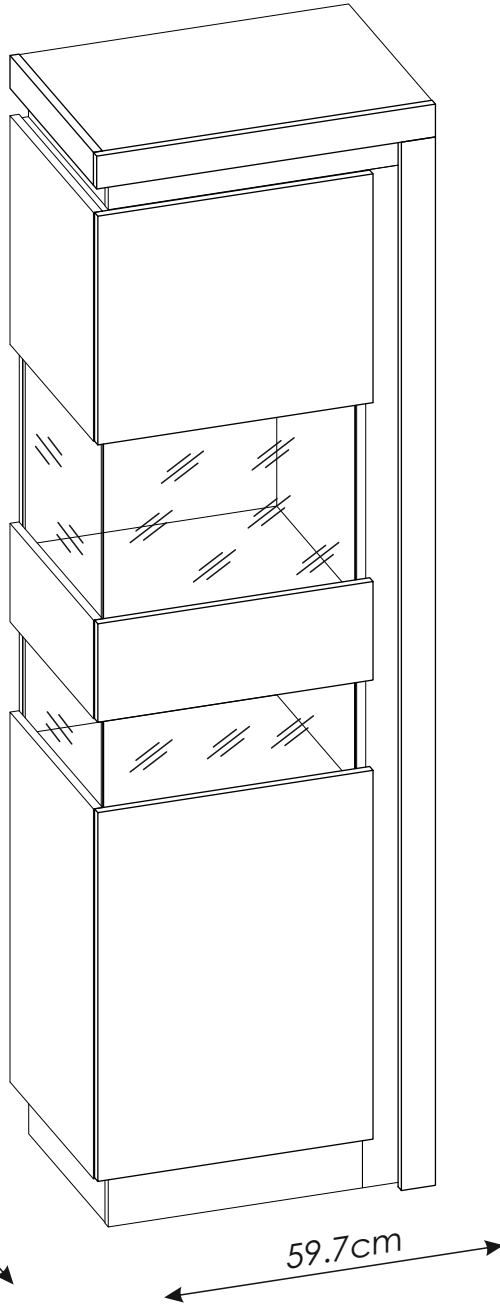
LEONARDO LYOV03 L

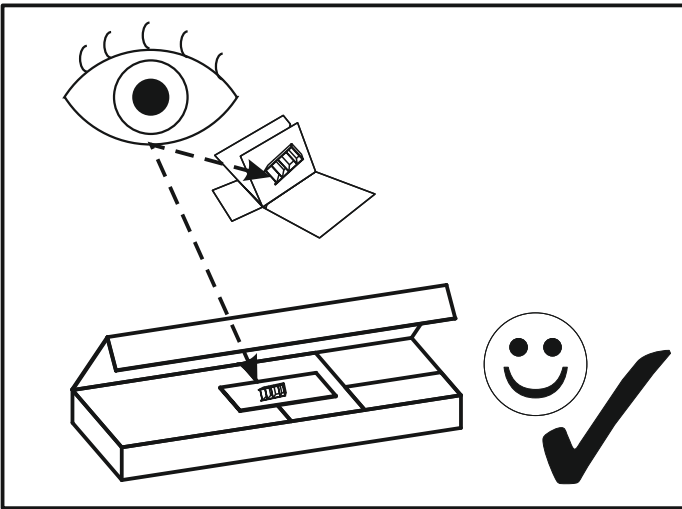


198 cm

42 cm

59.7cm







MM

260

250

240

230

220

210

200

190

180

170

160

150

140

130

120

110

100

90

80

70

60

50

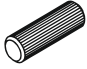
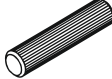
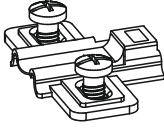
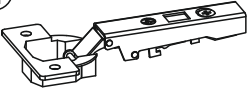


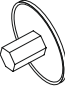

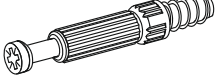
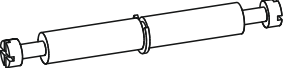
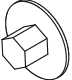


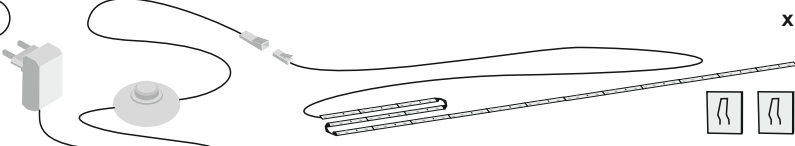
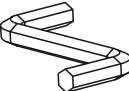
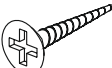
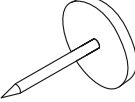

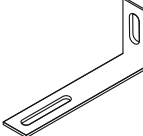
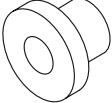
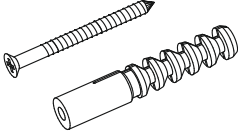
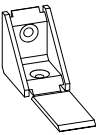
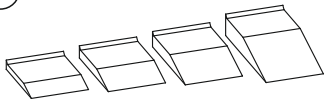
40

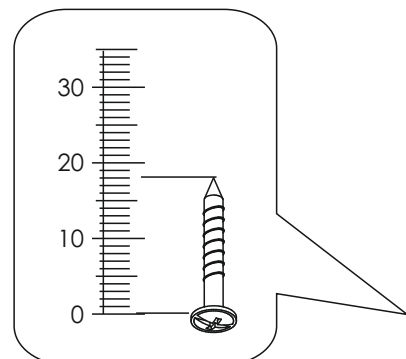
30

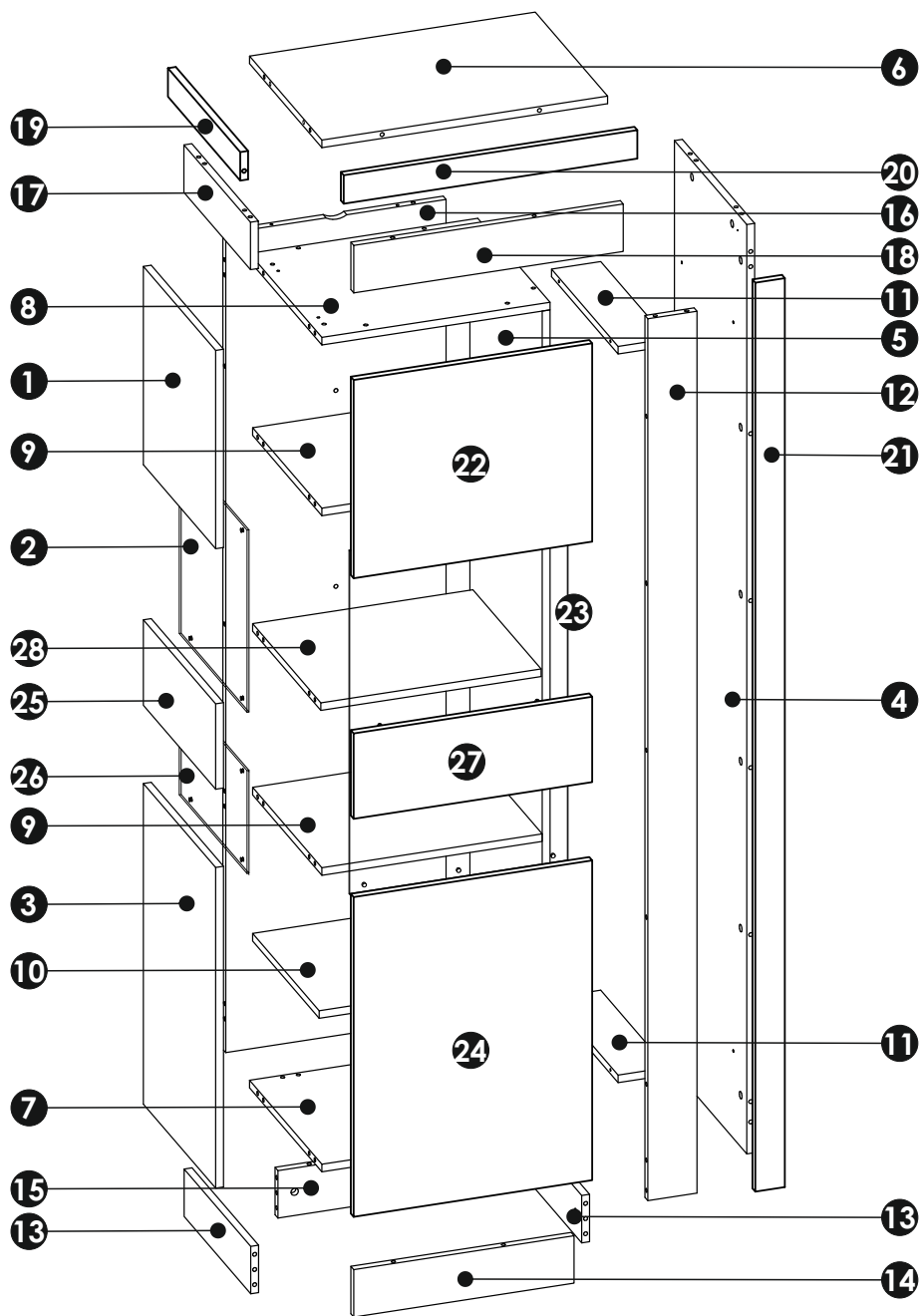
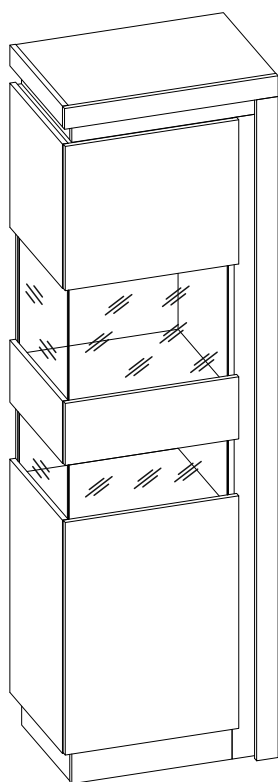
20

10

0

A1 8 x 35 mm x55 	A2 8 x 45 mm x2 	B0  x4
BC11  x4	C1 4 x 13 mm x8 	D2  x4
E0  x44	E1 15 x 12 mm x57 	F1 6 x 34 mm x53 
F3 7 x 58 mm x2 	G0  x16	G1 7 x 50 mm x16 
I2 4 x 16 mm x19 	L  x1	
M  x1	N2 3,5 X 16 mm x12 	O2  x6
P0  x2	Q9  x1	R3  x18
S13  x1	W  x6	Z  x1

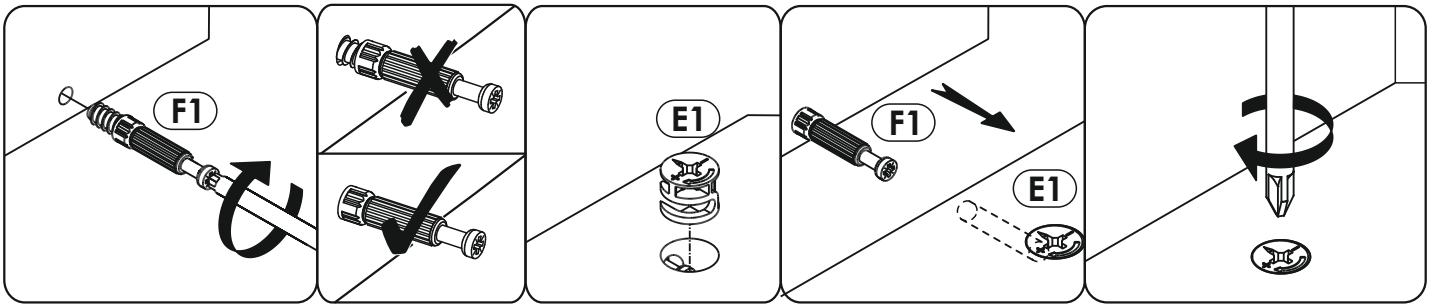




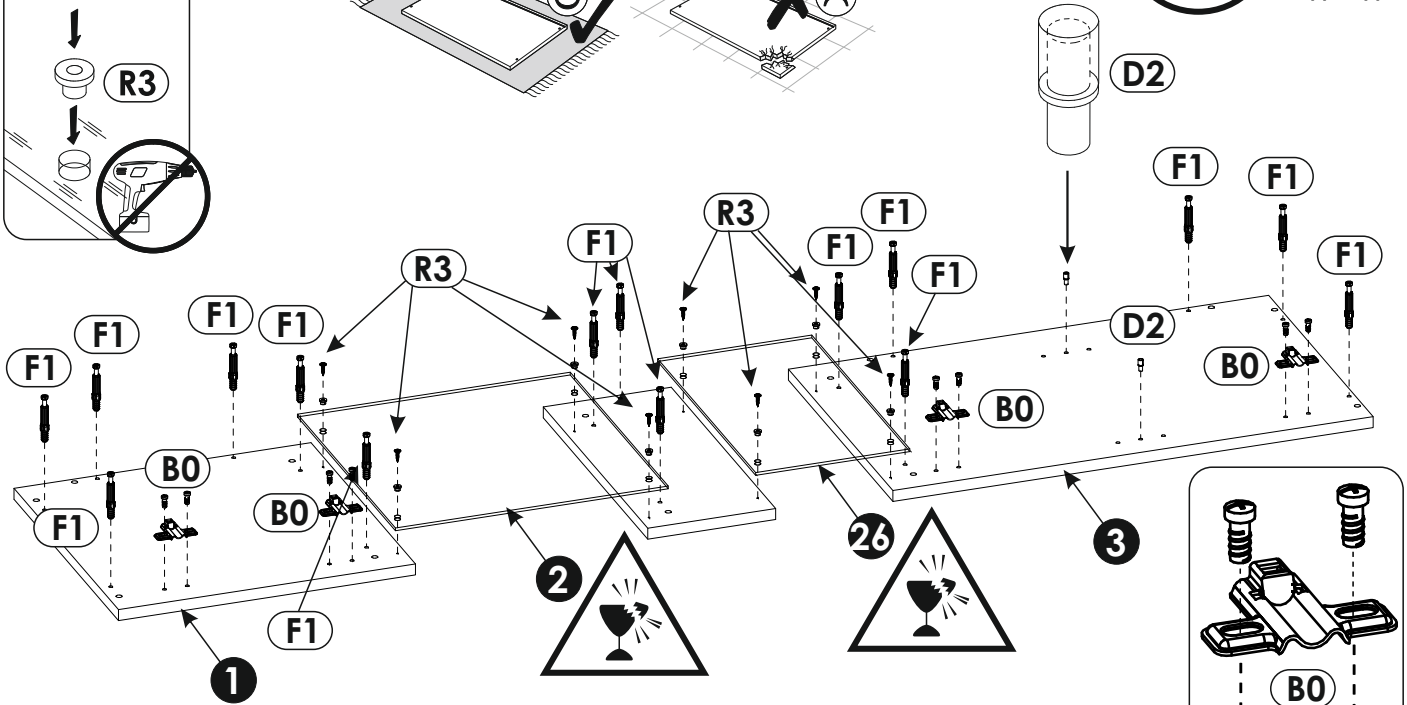
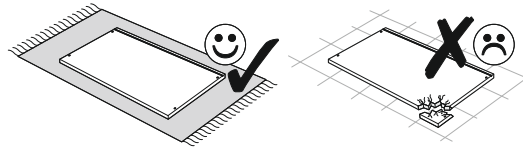
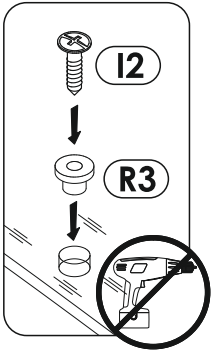
1	418	404	16 x1	1/2
2	379	379	4 x1	1/2
3	676	404	16 x1	1/2
4	1959	404	16 x1	2/2
5	1727	404	16 x1	2/2
6	581	404	16 x1	1/2
7	464	404	16 x1	1/2
8	464	404	16 x1	1/2
9	448	387	16 x2	1/2
10	448	369	16 x1	1/2
11	372	100	16 x2	2/2

12	1859	100	16 x1	2/2
13	372	100	16 x2	2/2
14	448	100	16 x1	2/2
15	357	100	16 x1	2/2
16	1727	448	16 x1	2/2
17	372	100	16 x1	2/2
18	548	100	16 x1	2/2
19	404	60	16 x1	2/2

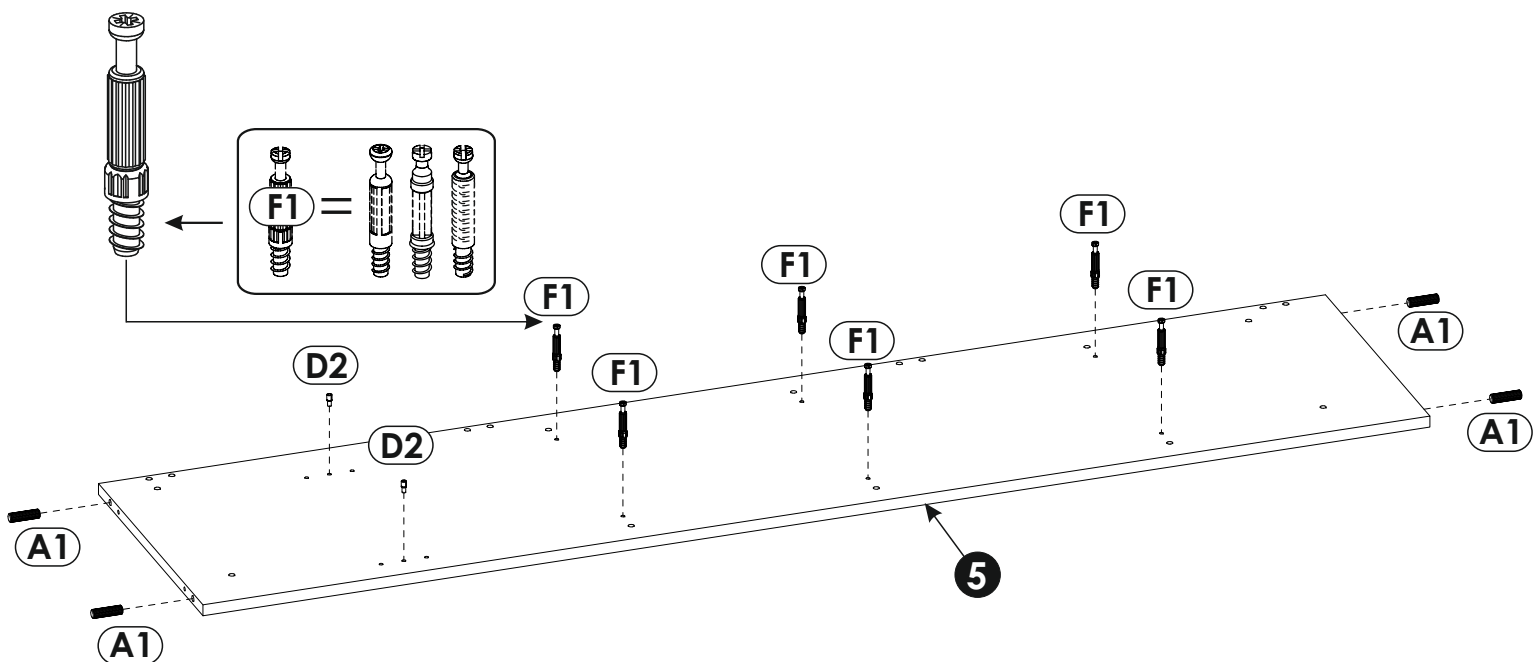
20	597	60	16 x1	2/2
21	1916	60	16 x1	2/2
22	485	418	16 x1	1/2
23	444	724	4 x1	1/2
24	485	674	16 x1	1/2
25	180	404	16 x1	1/2
26	379	217	4 x1	1/2
27	485	180	16 x1	1/2
28	448	381	16 x1	1/2



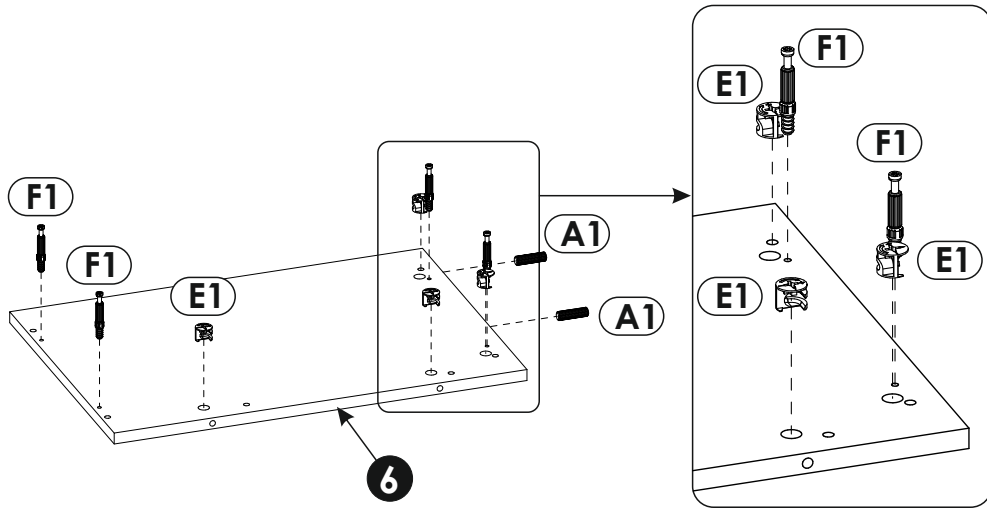
1 ▶



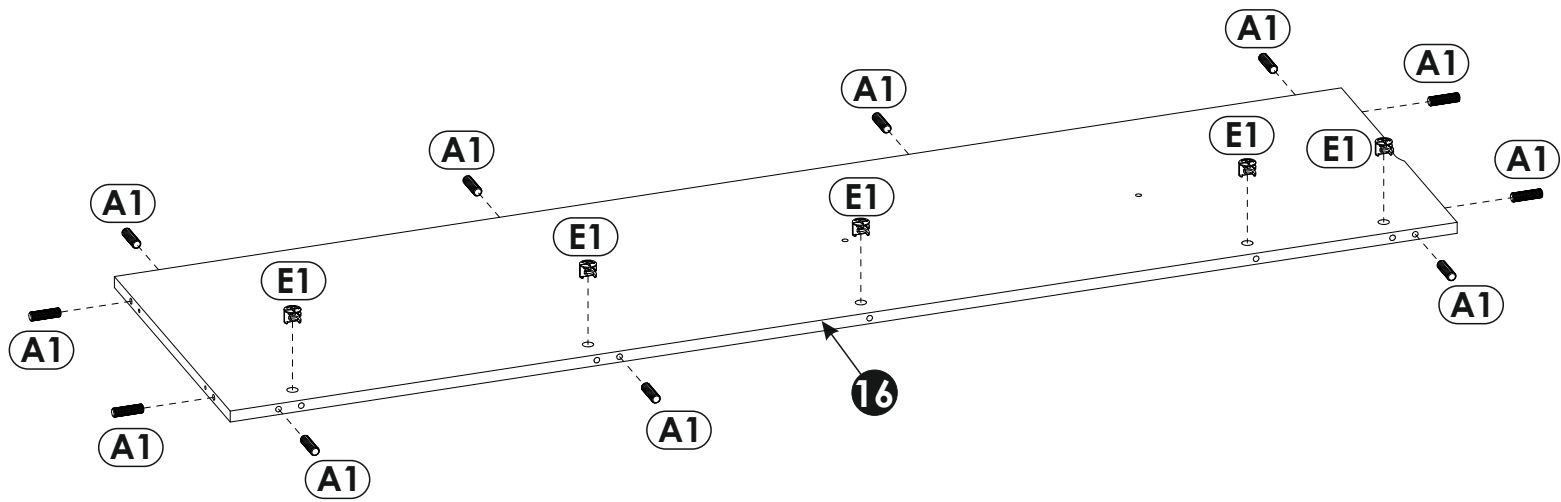
2 ▶



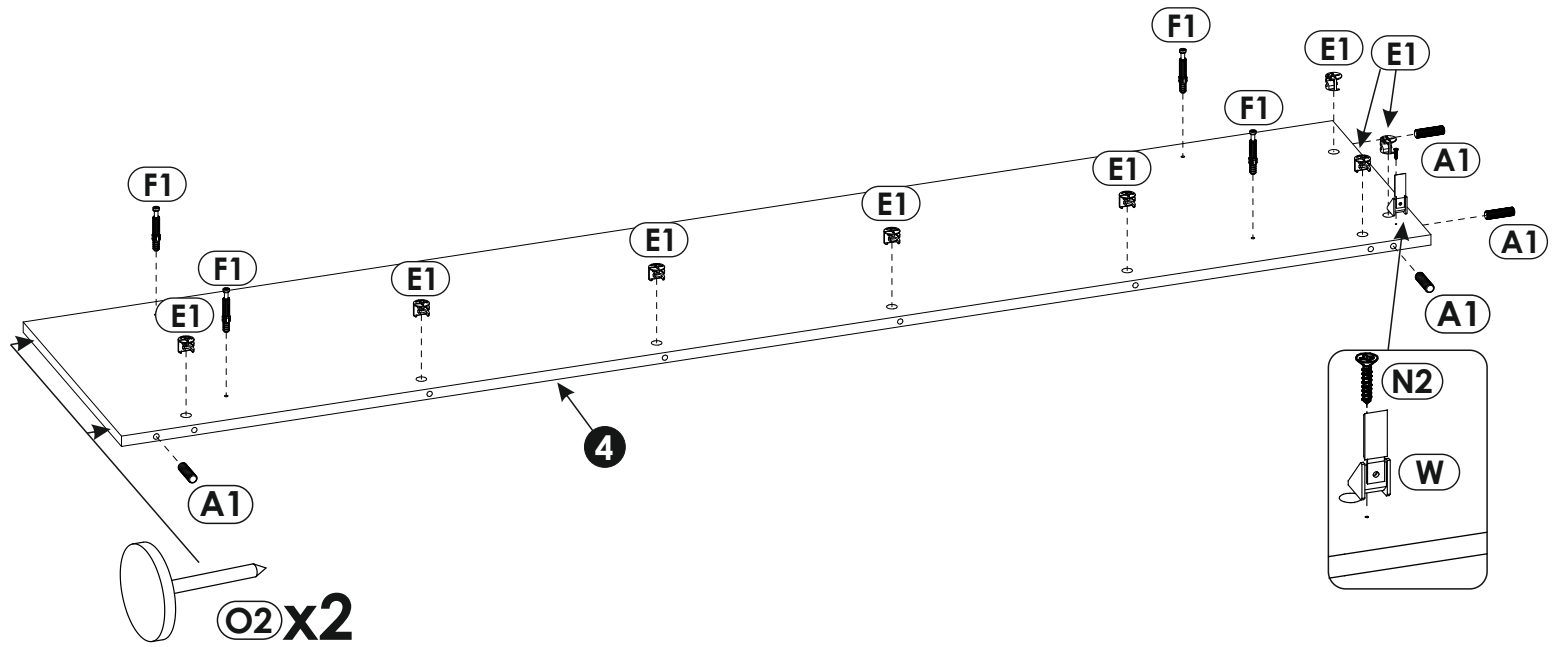
6 ▶



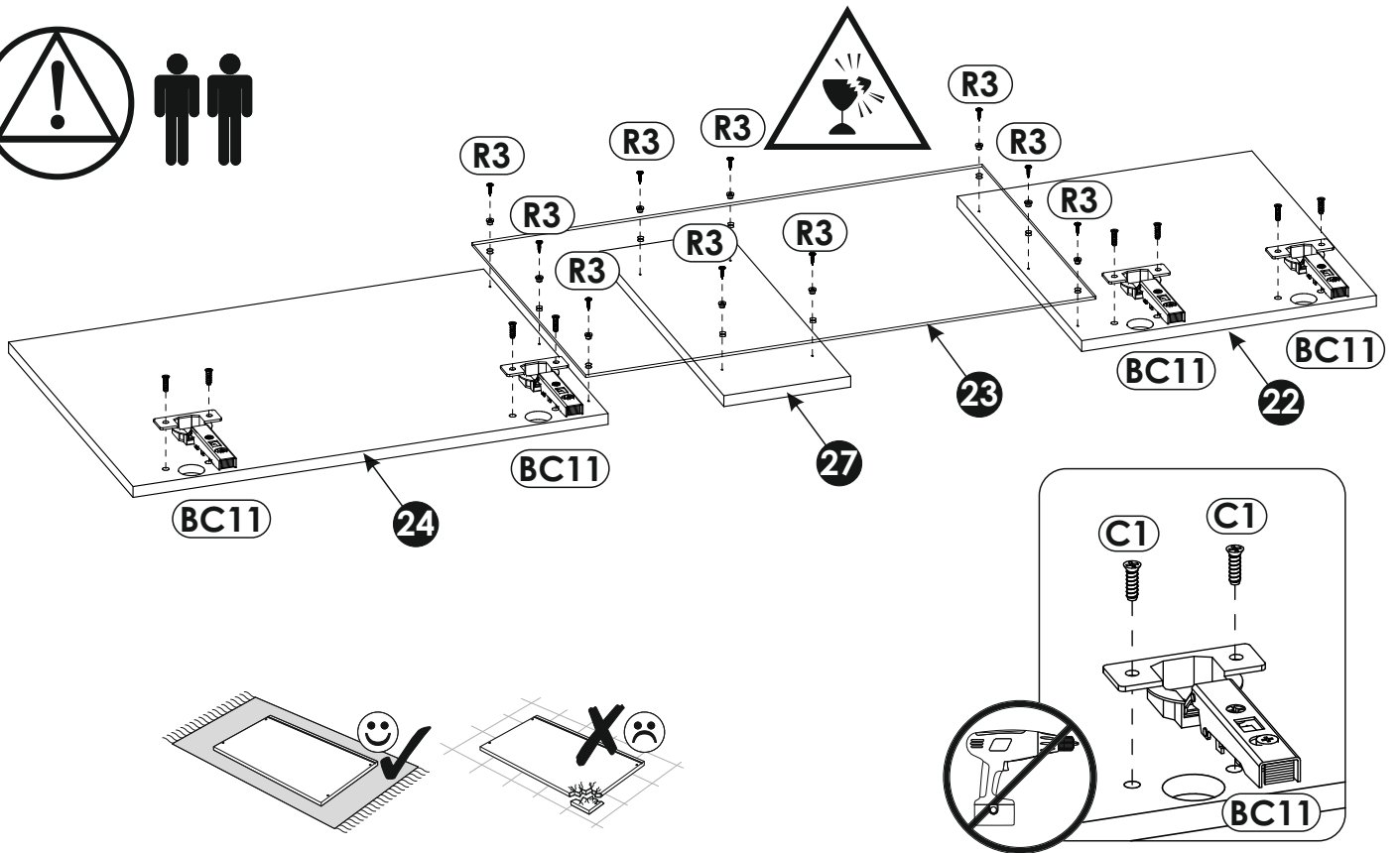
7 ▶



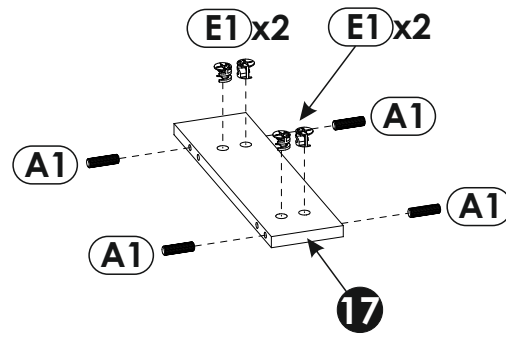
8 ▶



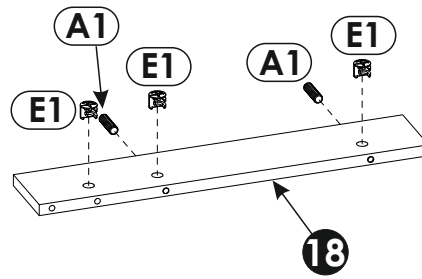
9 ▶



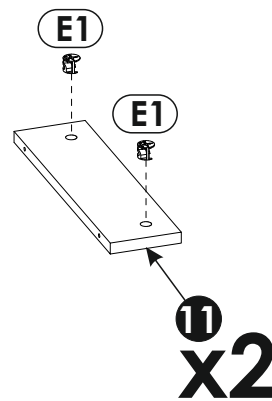
10▶



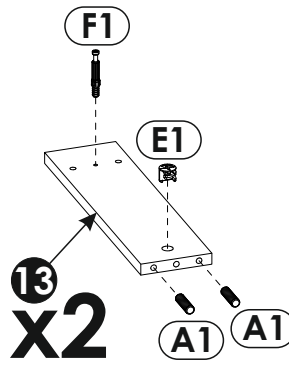
11▶



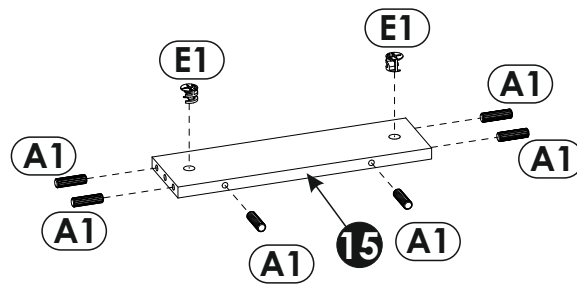
12▶



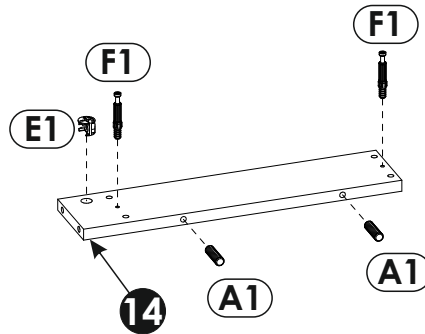
13▶



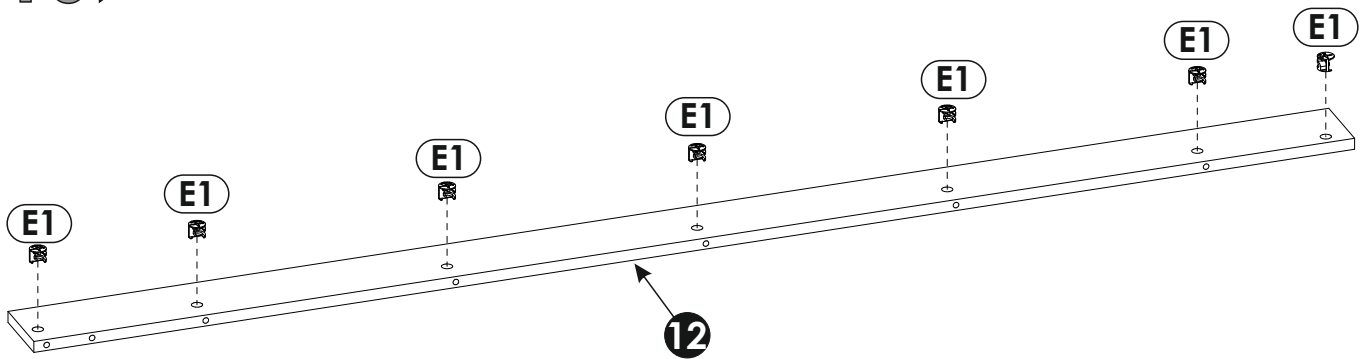
14▶



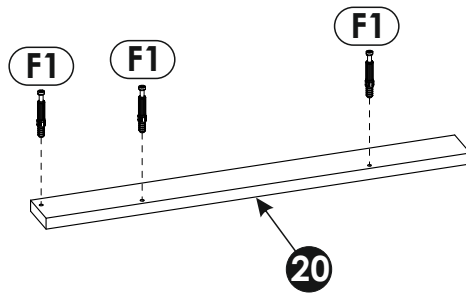
15▶



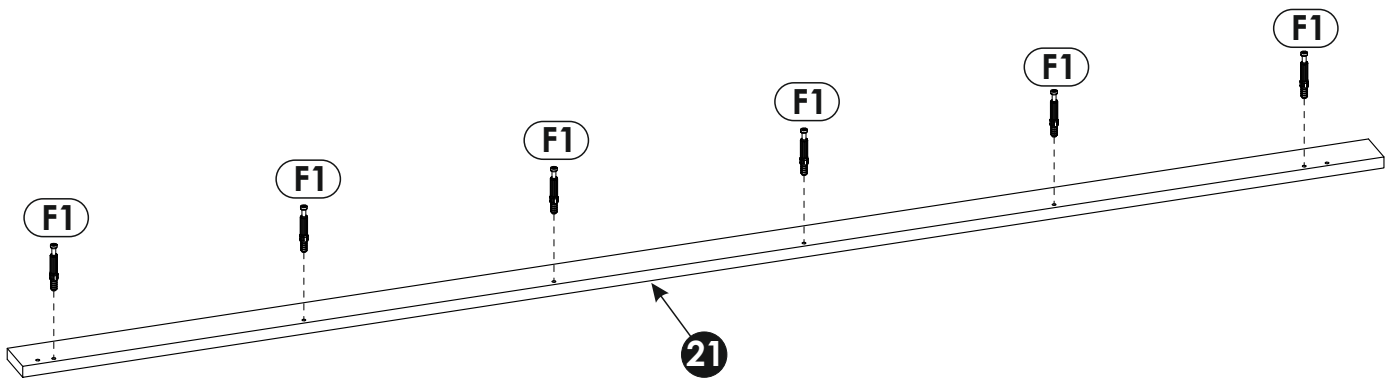
16▶



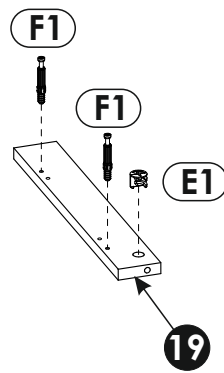
17▶



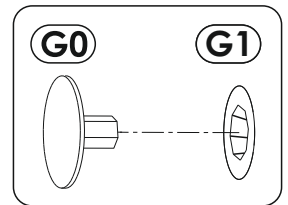
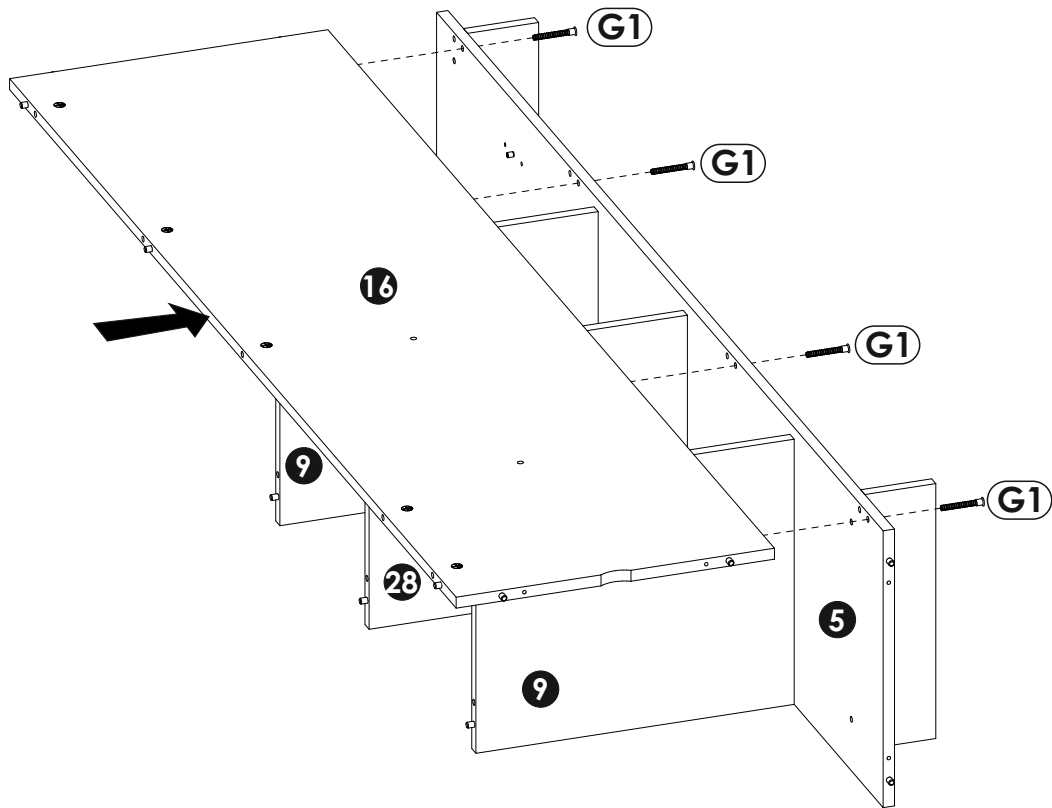
18▶



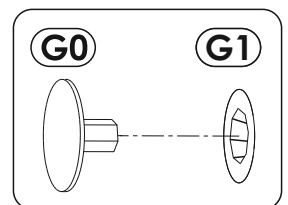
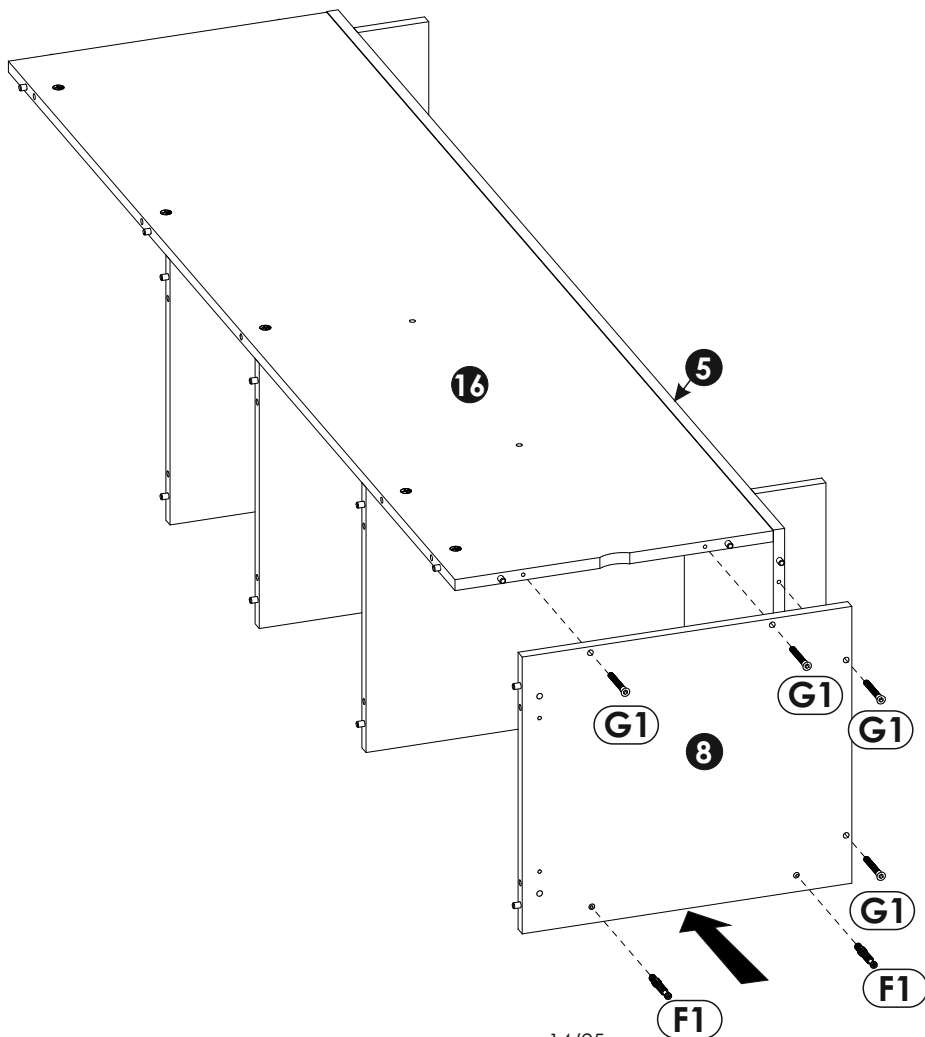
19▶



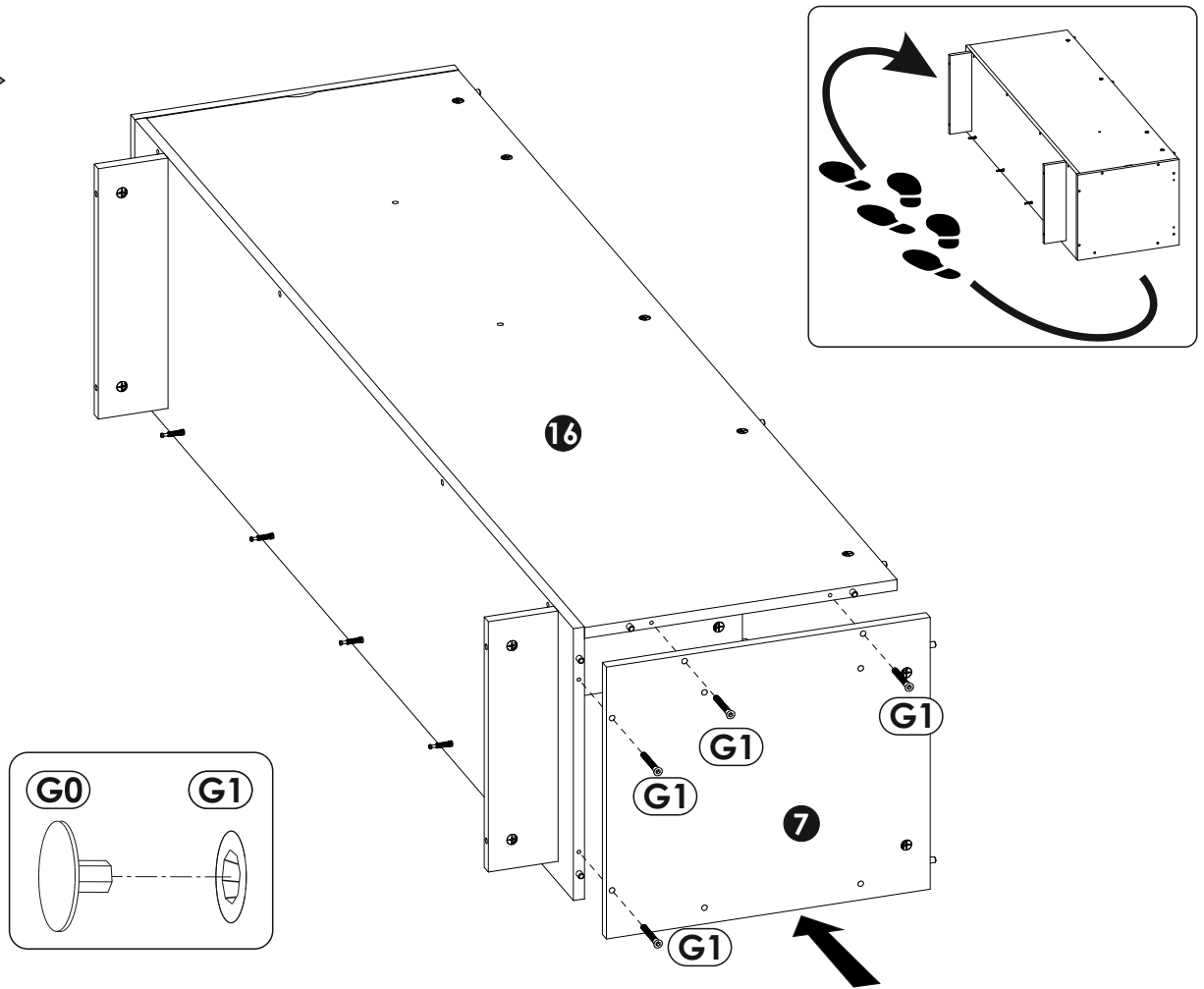
22 ▶



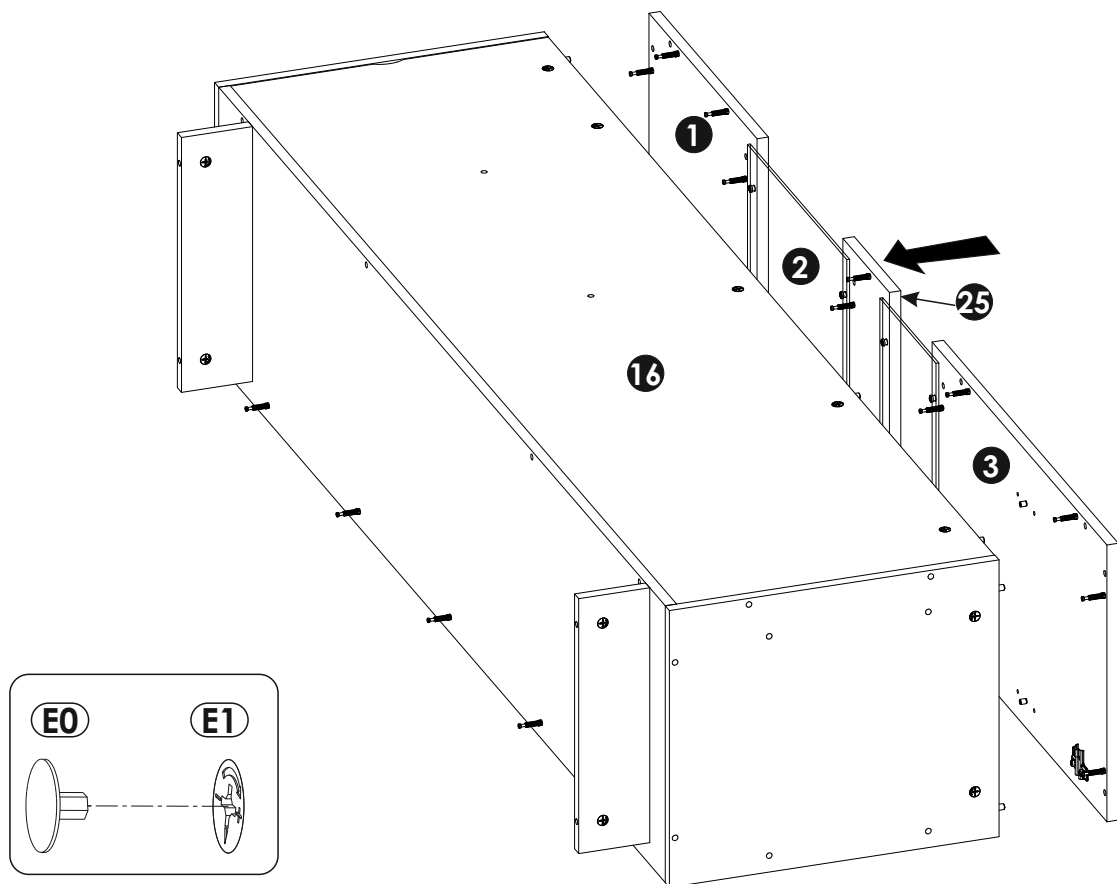
23



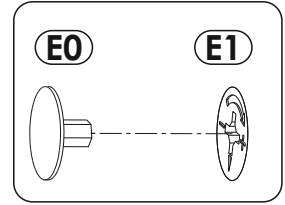
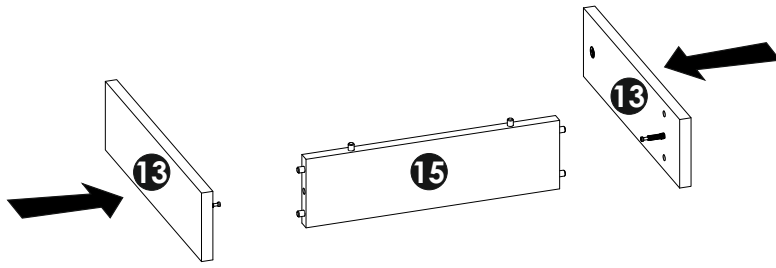
24 ▶



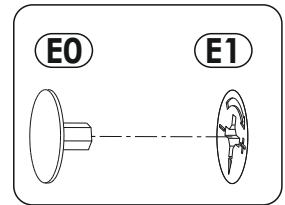
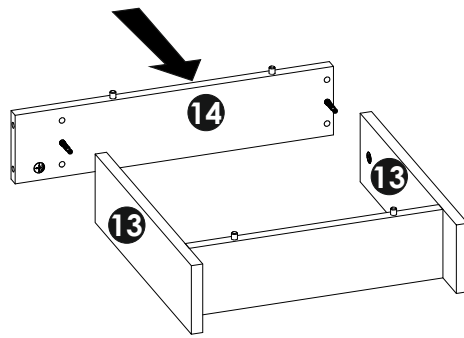
25 ▶



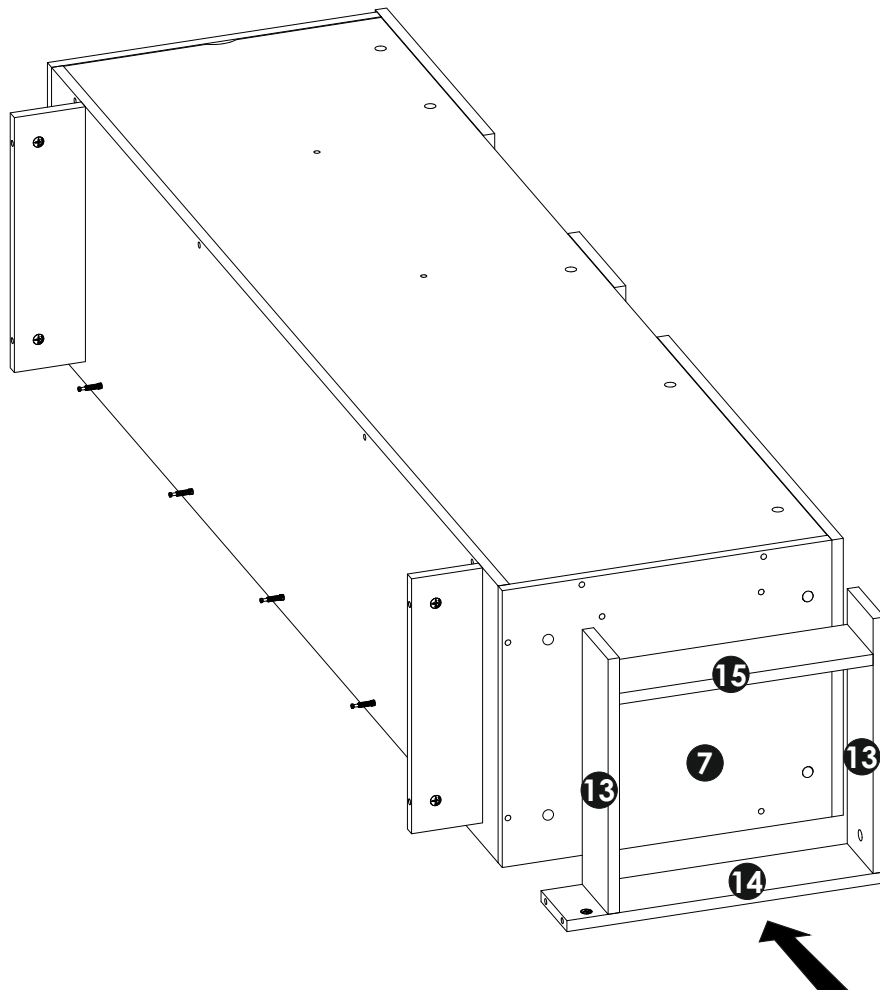
26 ▶



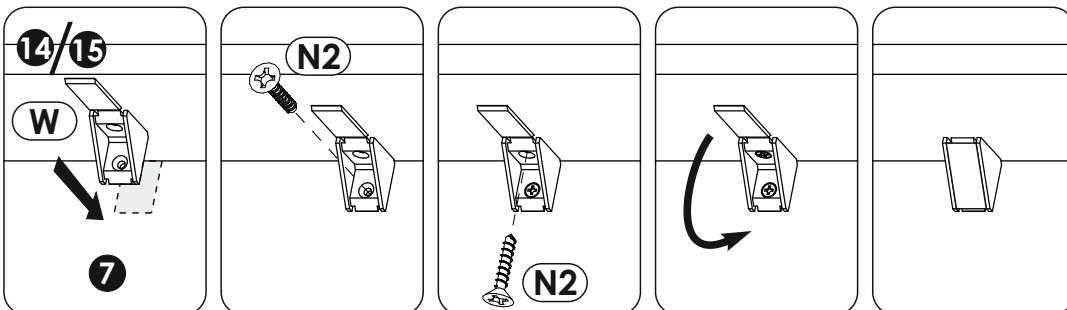
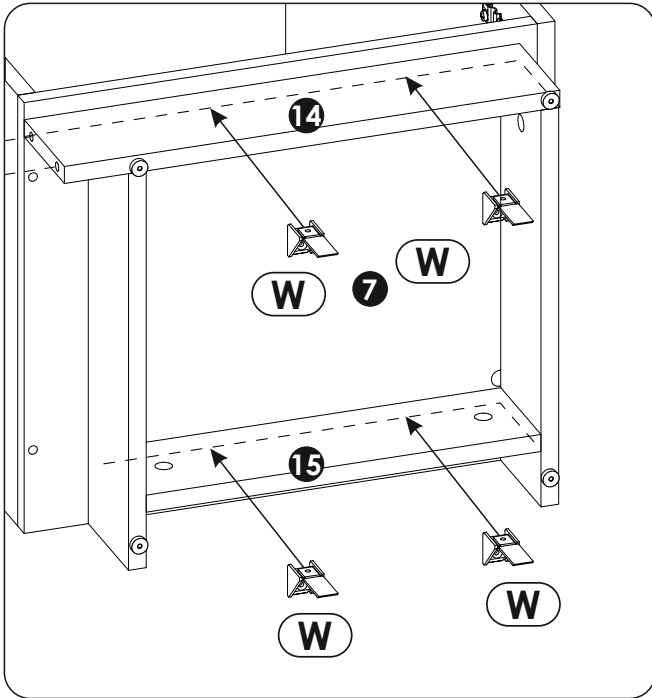
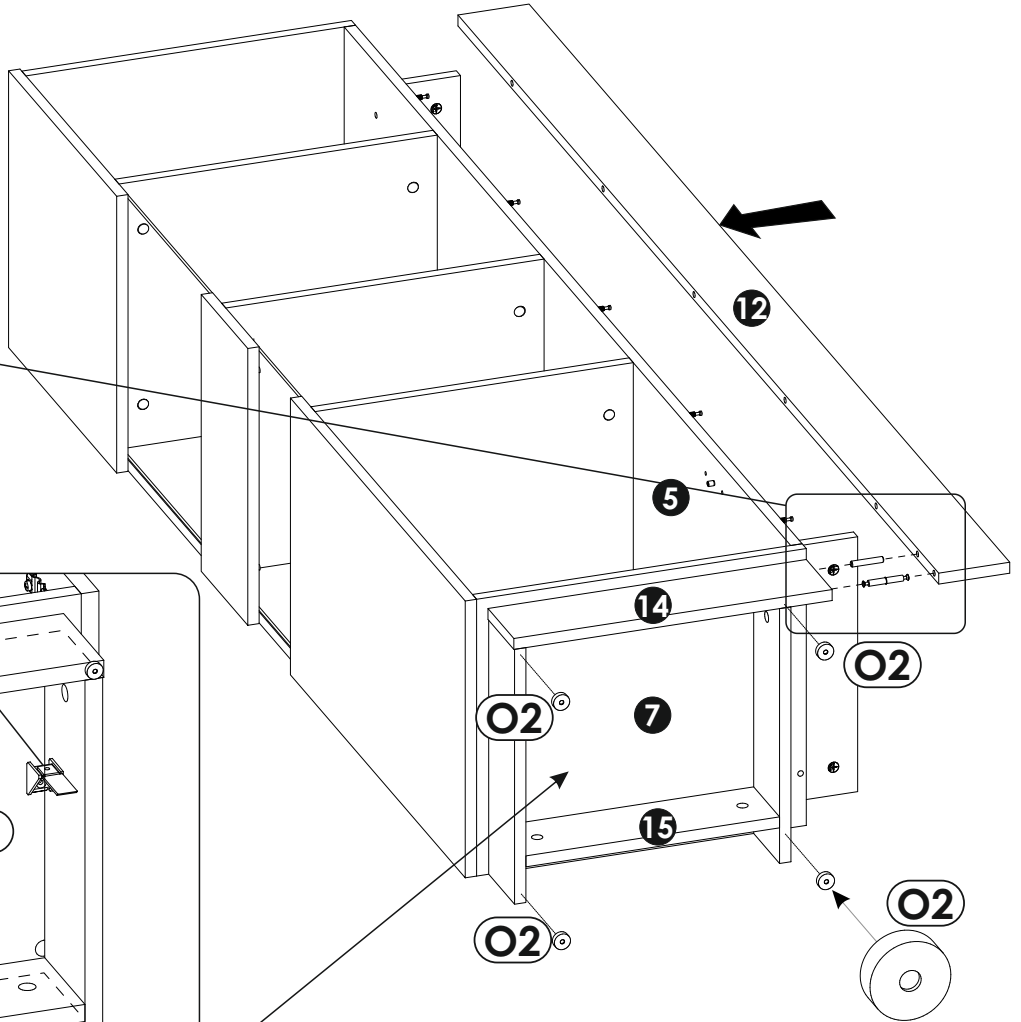
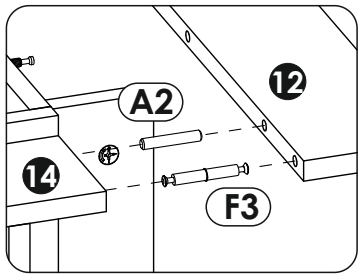
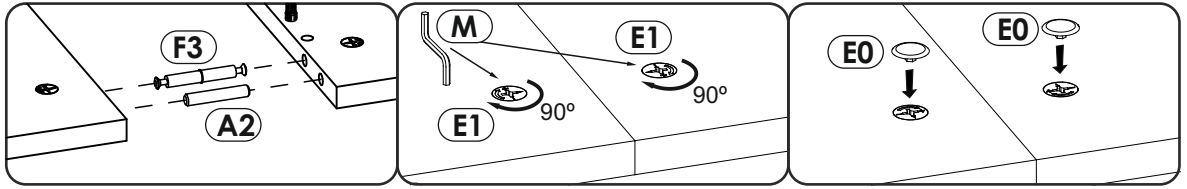
27 ▶



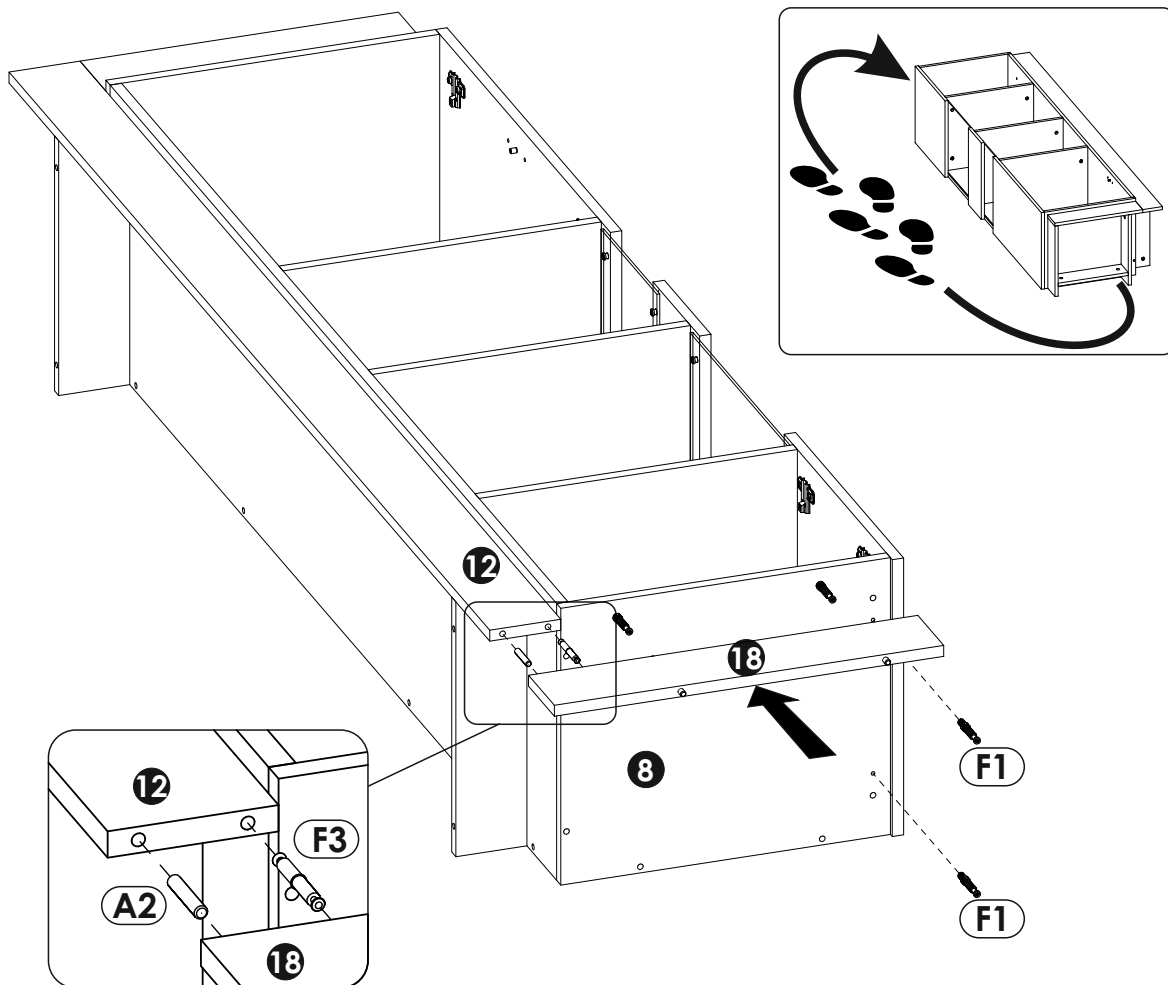
28 ▶



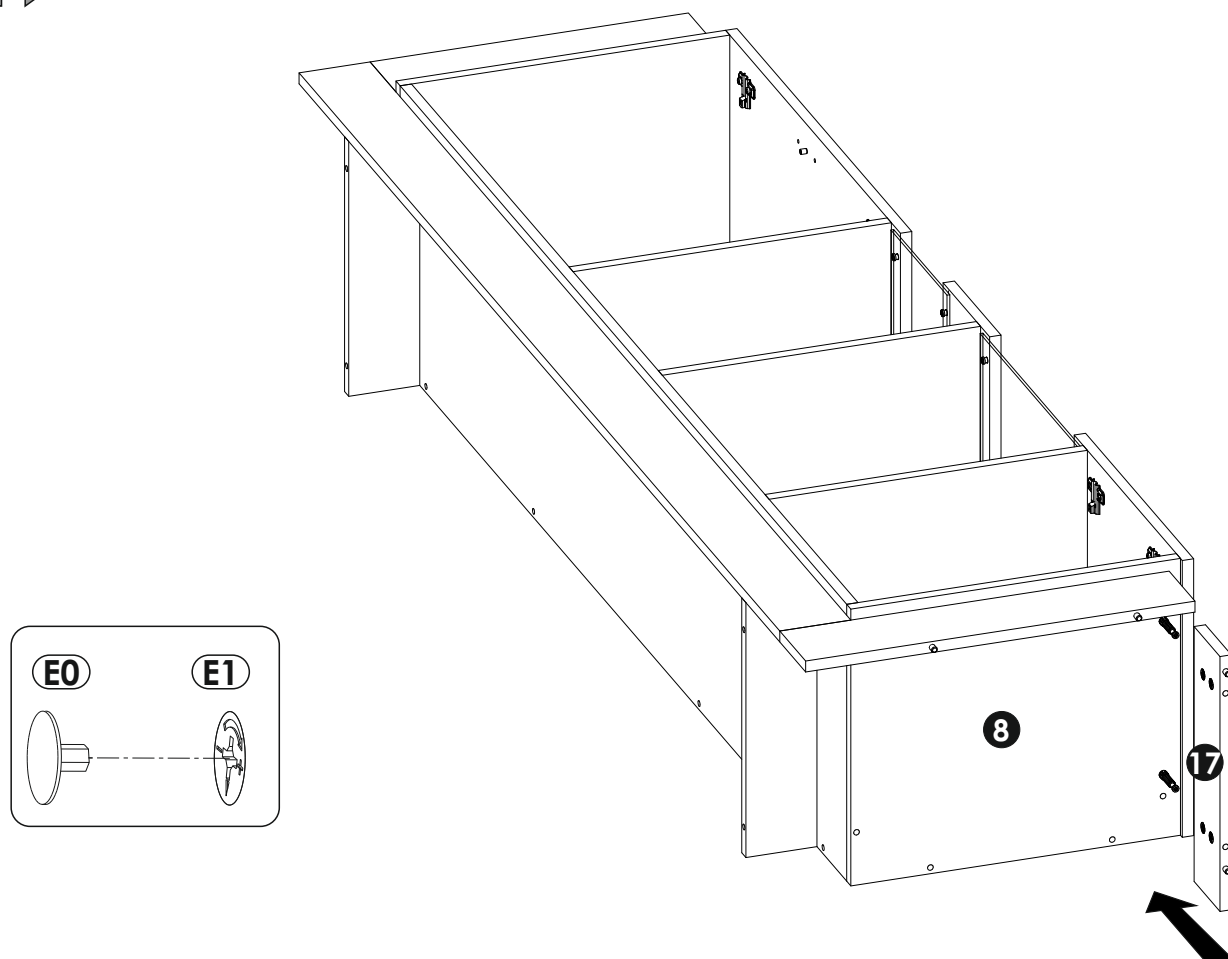
29 ▶



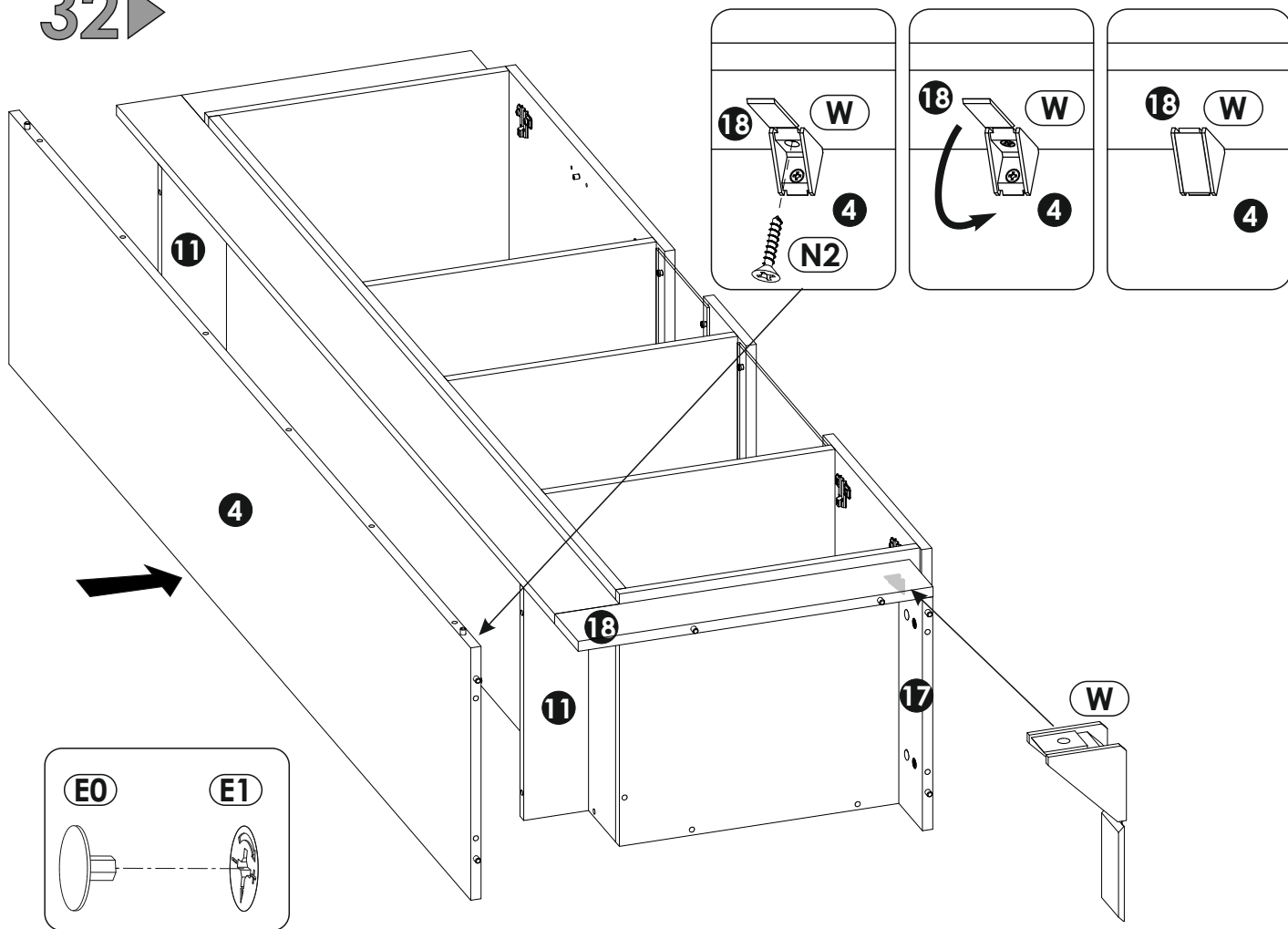
30 ▶



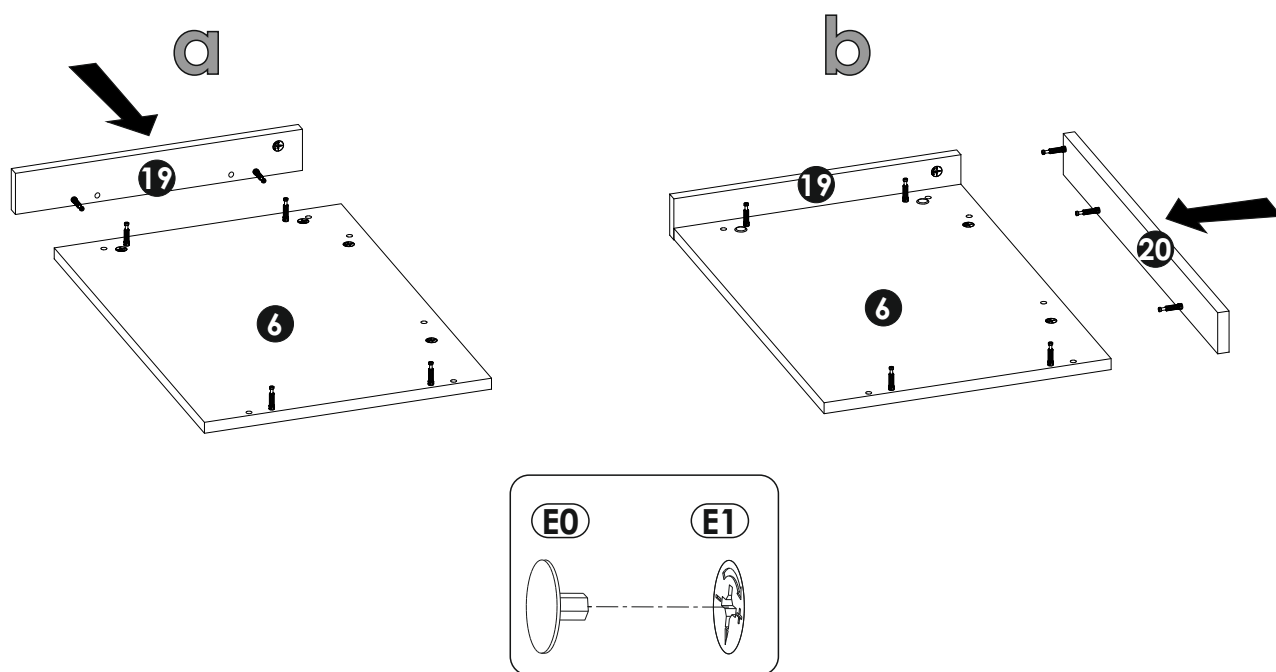
31 ▶



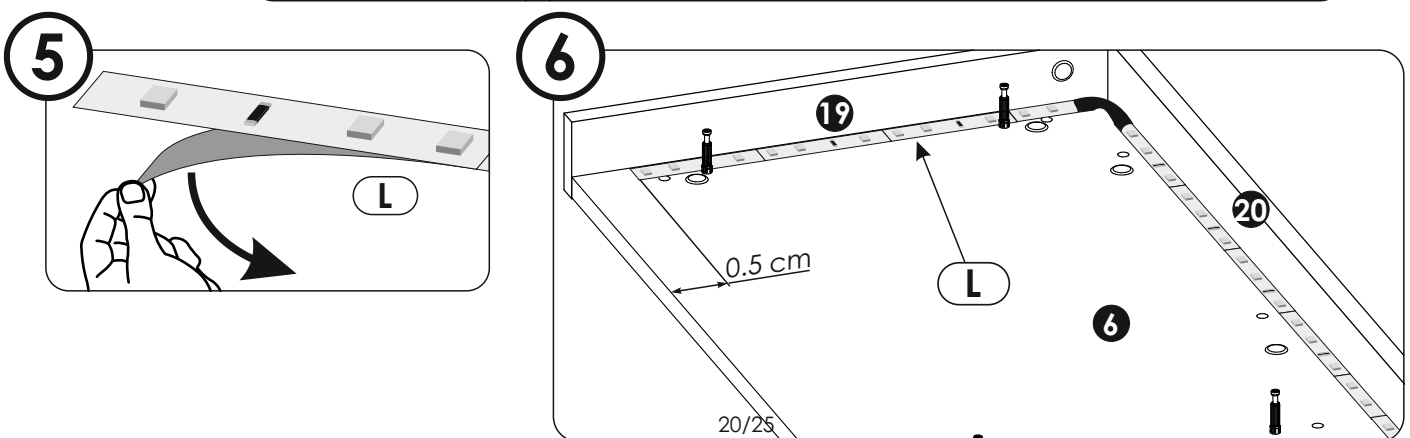
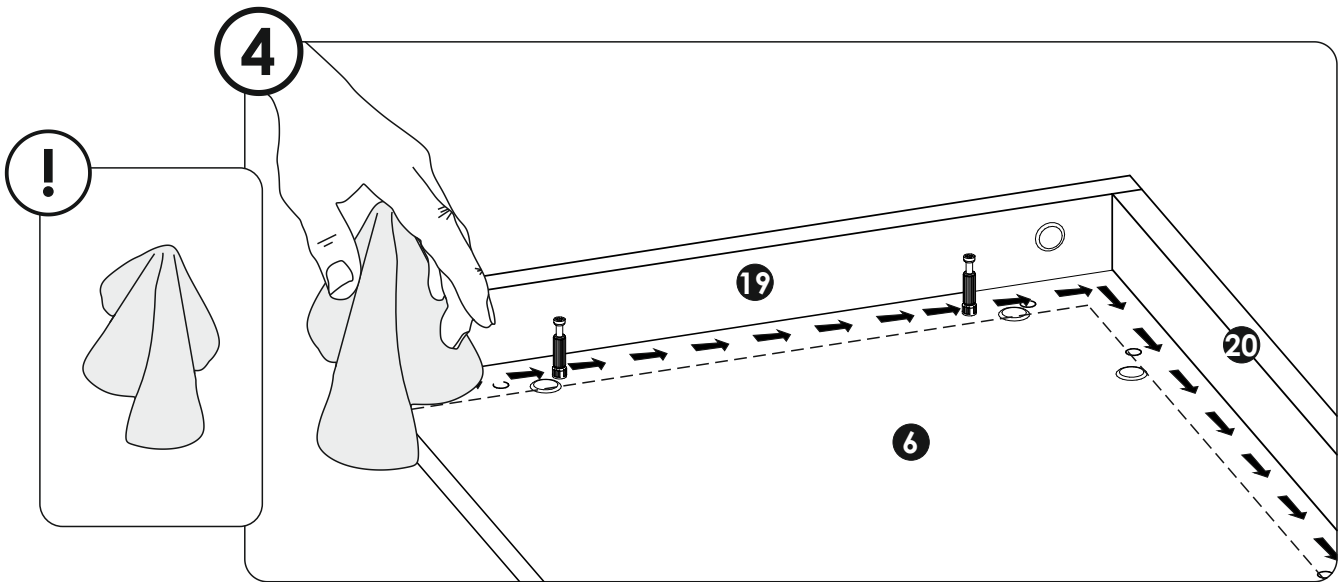
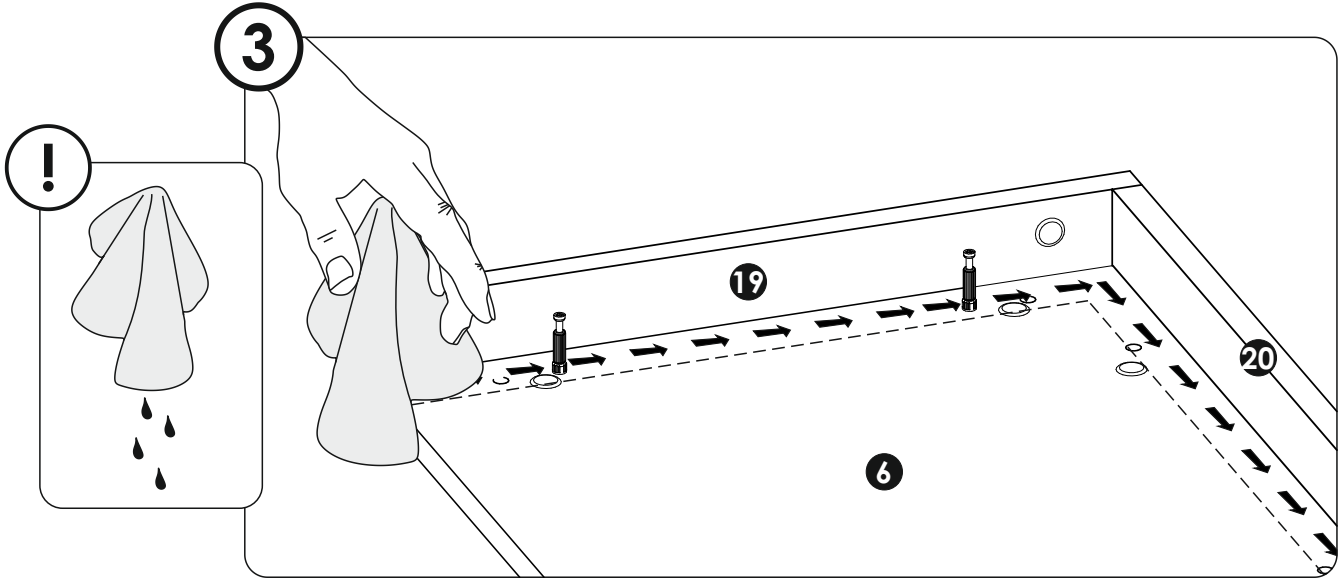
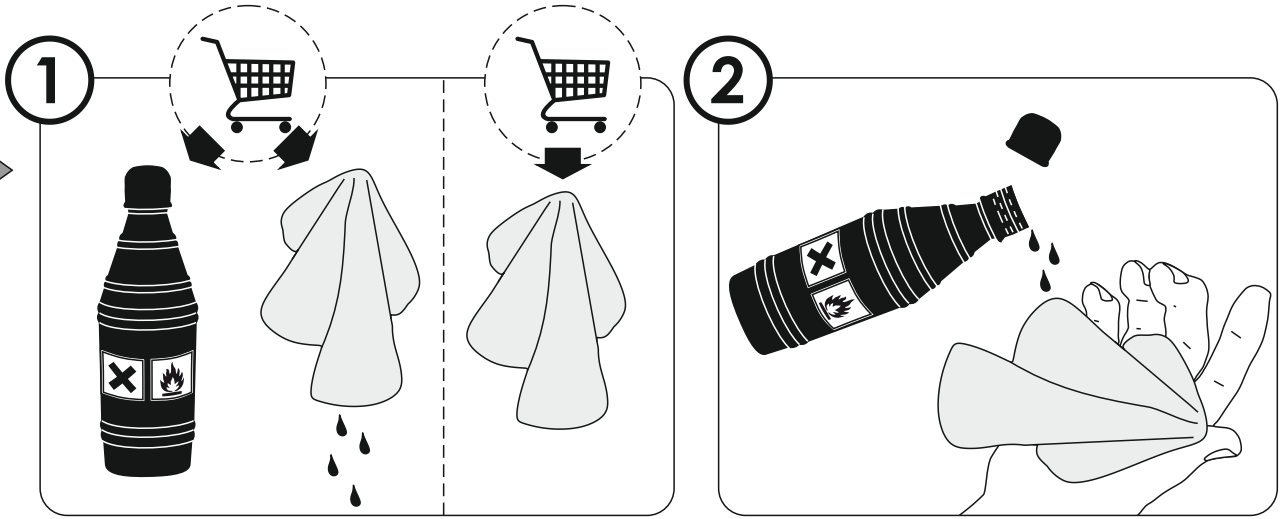
32 ▶



33 ▶



34 ▶



35 ▶

